

lapesa

СТАЦИОНАРНЫЕ ГАЗГОЛЬДЕРЫ



www.lapesa.nt-rt.ru

По вопросам продаж и поддержки обращайтесь:

Архангельск (8182)63-90-72
Астана +7(7172)727-132
Белгород (4722)40-23-64
Брянск (4832)59-03-52
Владивосток (423)249-28-31
Волгоград (844)278-03-48
Вологда (8172)26-41-59
Воронеж (473)204-51-73
Екатеринбург (343)384-55-89
Иваново (4932)77-34-06
Ижевск (3412)26-03-58
Казань (843)206-01-48

Калининград (4012)72-03-81
Калуга (4842)92-23-67
Кемерово (3842)65-04-62
Киров (8332)68-02-04
Краснодар (861)203-40-90
Красноярск (391)204-63-61
Курск (4712)77-13-04
Липецк (4742)52-20-81
Магнитогорск (3519)55-03-13
Москва (495)268-04-70
Мурманск (8152)59-64-93
Набережные Челны (8552)20-53-41

Нижний Новгород (831)429-08-12
Новокузнецк (3843)20-46-81
Новосибирск (383)227-86-73
Орел (4862)44-53-42
Оренбург (3532)37-68-04
Пенза (8412)22-31-16
Пермь (342)205-81-47
Ростов-на-Дону (863)308-18-15
Рязань (4912)46-61-64
Самара (846)206-03-16
Санкт-Петербург (812)309-46-40
Саратов (845)249-38-78

Смоленск (4812)29-41-54
Сочи (862)225-72-31
Ставрополь (8652)20-65-13
Тверь (4822)63-31-35
Томск (3822)98-41-53
Тула (4872)74-02-29
Тюмень (3452)66-21-18
Ульяновск (8422)24-23-59
Уфа (347)229-48-12
Челябинск (351)202-03-61
Череповец (8202)49-02-64
Ярославль (4852)69-52-93

сайт: www.lapesa.nt-rt.ru || эл. почта: pse@nt-rt.ru

STATIC TANKS

- Horizontal aboveground tanks
 - Horizontal underground tanks
 - Vertical aboveground tanks
- Static tanks for the storage of **LPG** in aboveground and underground installations, made in accordance with **European Directive 97/23/CE and with CE marking**. Upon request we can manufacture tanks to the regulatory requirements of the place of destination.
 - Optionally any tank capacity can be manufactured in accordance with **ASME VIII div. 1 and ASME marking**.
 - **CAPACITIES:** capacities from 1 to 400 m³. Thanks to our extensive range of diameters, the scope of possible tank sizes always allows storage capacity requirements to adapt to the characteristics of each project.
 - **STORED PRODUCT AND DESIGN PRESSURE:**
The information in this catalogue refers to storage of LPG at a design pressure of 20 bar.
For other products of similar characteristics or other pressures, please consult us.
 - **FINISHES:** External tank protection with finishes that are highly resistant to corrosion, both for aboveground and underground installations.
 - **Standard finish:** Shot-blasting of the whole of the outer surface of the tank, application of high protection capacity epoxy-polyamide primer and top coat of white or black polyurethane depending on whether the tank is installed aboveground or underground.
 - **Special finishes:** "thick coat" finish for underground tanks, highly resistant to impacts and with dielectric strength certification (up to 15.000 V).
 - **Special finishes at customer's request:** Special finishes according to our customer's specifications and/or project requirements.

VALVES: Tanks with capacities < 20 m³ include the standard valve sets in the supply.

For tanks with capacities greater than 20 m³, the valve equipment is listed in this catalogue (page 16).

CATHODIC PROTECTION: Cathodic protection equipment comprising sacrificial anodes (optionally with bag of activating mix), wiring and connection terminals, dimensioned for each of the tank models for underground installation.

OPTIONS:

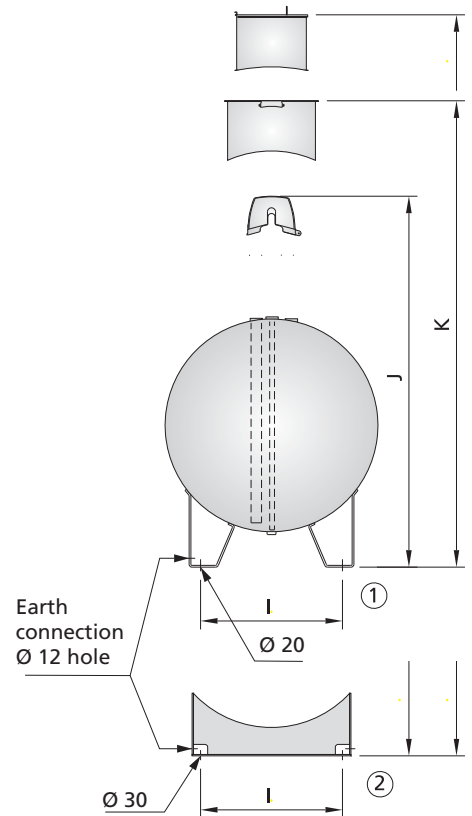
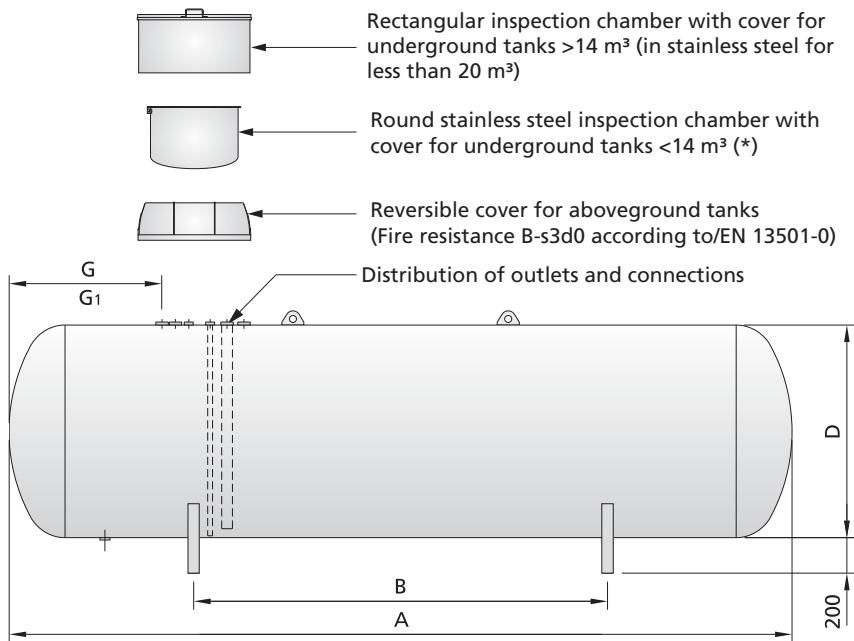
Centred connections: All models can have the "centred outlets" option (which can be useful when establishing safety distances for installation).

Valves mounted: the tank can be supplied with the valve equipment mounted, with valves tightness test and tank inerted with nitrogen.

Tanks with anchor slab: Sets of tank-concrete anchor slab for capacities of up to 4.000 litres.







EXTERNAL PROTECTION:

- Shot-blasting to SA 2-1/2
- Anti-corrosion primer
- Polyurethane finish

① Supports for Ø 1.000 and 1.200

② Supports for Ø 1.500 and 1.750

(*) Models LP11E and LP13E-17 include a rectangular inspection chamber

Data (shown in the table), valid for aboveground and underground tanks.
Outlets and valves: see page 15.

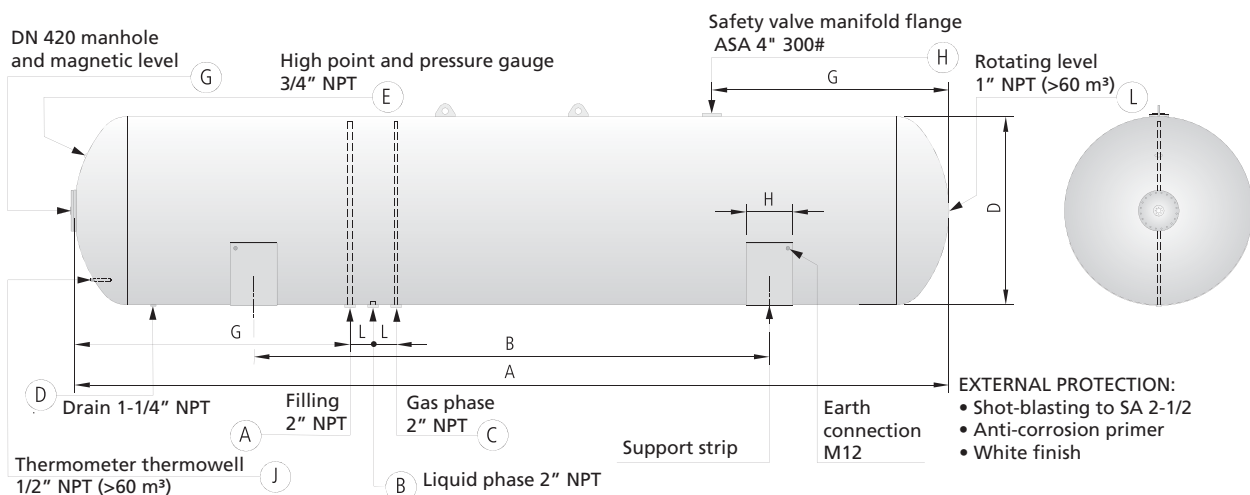
CHARACTERISTICS TABLE

Rated capacity (litres)	Model Ref.	Approx. empty weight (Kg)	Stored propane (Kg)	Total area (m ²)	Minimum discharge of safety valve (m ³ /min. air)		Dimensions (mm)							
					Abovegrd.	Undergrd	D	A	B	G	G1	I	J	K
975	LP1000*	265	409	5,5	43,1	30,2	1.000	1.470	700	520	-	670	1.370	1.460
1.450	LP1450*	390	609	6,7	50,7	35,5	1.200	1.562	700	565	-	800	1.655	1.750
1.825	LP1825*	470	766	7,9	58,0	40,6	1.200	1.872	900	720	-	800	1.655	1.750
2.250	LP2250*	550	945	9,3	66,3	46,4	1.200	2.255	1.300	915	-	800	1.655	1.750
2.450	LP2450*	590	1.029	10,1	71,0	49,7	1.200	2.450	1.500	1.020	-	800	1.655	1.750
2.670	LP2670*	650	1.121	10,9	75,6	52,9	1.200	2.660	1.500	1.010	-	800	1.655	1.750
4.000	LP4000*	880	1.680	15,3	99,8	69,8	1.200	3.840	2.000	1.010	1.800	800	1.655	1.750
4.440	LP4440*	1.000	1.865	16,8	107,7	75,4	1.200	4.230	2.300	1.010	1.900	800	1.655	1.750
4.660	LP4660*	1.050	1.957	17,6	111,9	78,3	1.200	4.440	2.400	1.010	1.900	800	1.655	1.750
4.880	LP4880*	1.100	2.050	18,4	116,1	81,2	1.200	4.650	2.500	1.010	2.000	800	1.655	1.750
6.430	LP6430*	1.350	2.701	23,5	141,9	99,3	1.200	6.010	3.300	1.010	2.790	800	1.655	1.750
6.650	LP6650*	1.400	2.793	24,3	145,8	102,1	1.200	6.240	3.400	1.010	3.000	800	1.655	1.750
6.870	LP6870*	1.450	2.885	25,1	149,7	104,8	1.200	6.430	3.500	1.010	2.790	800	1.655	1.750
7.090	LP7090*	1.550	2.978	25,9	153,6	107,5	1.200	6.640	3.600	1.010	3.000	800	1.655	1.750
8.334	LP8334*	1.750	3.500	30,3	174,7	122,3	1.200	7.830	4.200	1.010	3.790	800	1.655	1.750
4.950	LP4950*	1.300	2.079	16,1	104,0	72,8	1.500	3.140	1.500	1.090	-	1.000	1.960	2.050
7.000	LP7000*	1.700	2.940	21,7	132,9	93,0	1.500	4.320	2.300	1.090	-	1.000	1.960	2.050
10.000	LP10*	2.300	4.200	29,9	172,8	121,0	1.500	6.050	3.500	1.090	2.830	1.000	1.960	2.050
13.000	LP13*	2.900	5.460	38,1	210,8	147,6	1.500	7.790	4.300	1.090	3.690	1.000	1.960	2.050
16.000	LP16*	3.500	6.720	46,2	246,9	172,8	1.500	9.520	5.100	1.090	5.430	1.000	1.960	2.090
19.000	LP19*	4.100	7.980	54,4	282,3	197,6	1.500	11.250	6.200	1.090	6.290	1.000	1.960	2.090
22.000	LP22*	4.700	9.240	62,6	316,8	221,7	1.500	12.990	7.100	940	6.140	1.000	1.960	2.150
10.750	LP11*	2.450	4.515	28,6	166,6	116,6	1.750	4.880	2.600	1.160	-	1.200	2.210	2.330
13.000	LP13*-17	2.900	5.460	34,0	192,0	134,4	1.750	5.850	3.500	1.160	3.100	1.200	2.210	2.330
15.300	LP15*	3.350	6.426	39,3	216,3	151,4	1.750	6.820	3.500	1.160	3.100	1.200	2.210	2.330
19.900	LP20*	4.200	8.358	50,0	263,5	184,4	1.750	8.760	4.500	1.160	4.070	1.200	2.210	2.330
24.450	LP24*	5.150	10.269	60,6	308,5	215,9	1.750	10.700	5.600	1.010	3.920	1.200	2.210	2.410
29.000	LP29*	6.050	12.180	71,3	352,4	246,7	1.750	12.640	6.900	1.010	6.830	1.200	2.210	2.410
33.600	LP34*	6.900	14.112	82,0	395,3	276,7	1.750	14.580	8.000	1.010	6.830	1.200	2.210	2.410
38.200	LP38*	7.800	16.044	92,6	436,7	305,7	1.750	16.520	9.100	1.010	6.830	1.200	2.210	2.410

*=A: for aboveground tanks- *=E: for underground tanks - G1: dimension for option <centred outlets>

STATIC TANKS FOR STORAGE OF LPG

HORIZONTAL ABOVEGROUND, 2.200 and 2.450 mm diameters (greater than 20 m³)



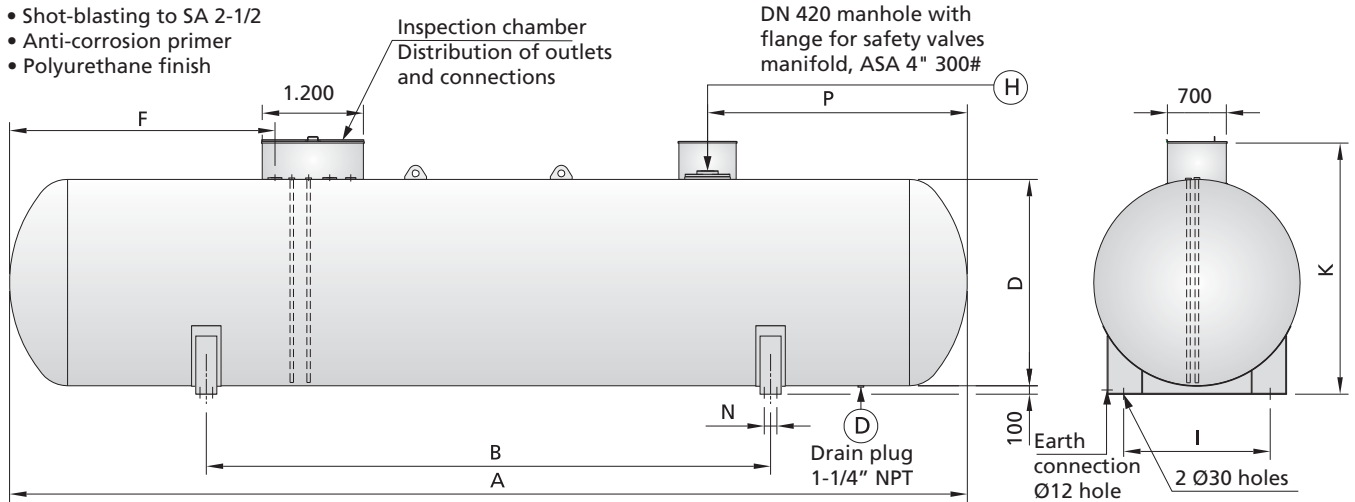
These models have support strips and can be placed directly on a concrete cradle (see page 19).

CHARACTERISTICS TABLE

Rated capacity (litres)	Model Ref.	Approx. empty weight (Kg)	Stored propane (Kg)	Total area (m ²)	Minimum discharge of safety valve (m ³ /min. air)	Dimensions (mm)					
						D	A	B	G	H	L
23.000	LP23A-22	5.400	9.660	48,4	256,5	2.200	6.590	2.300	2.840	500	300
26.300	LP26A-22	6.050	11.046	54,5	282,8	2.200	7.480	4.300	2.870	500	300
28.000	LP28A-22	6.350	11.760	57,6	295,9	2.200	7.920	4.300	2.370	500	300
29.650	LP30A-22	6.700	12.453	60,7	308,9	2.200	8.370	4.800	2.330	500	300
32.900	LP33A-22	7.350	13.818	66,8	334,1	2.200	9.260	5.500	2.840	500	300
36.200	LP36A-22	8.000	15.204	73,0	359,3	2.200	10.150	5.500	3.620	500	300
37.900	LP38A-22	8.350	15.918	76,0	371,4	2.200	10.590	6.000	3.620	500	300
39.600	LP40A-22	8.650	16.632	79,1	383,8	2.200	11.040	6.700	3.720	500	300
42.900	LP43A-22	9.300	18.018	85,3	408,3	2.200	11.930	6.700	3.720	500	300
46.200	LP46A-22	10.000	19.404	91,4	432,1	2.200	12.820	7.100	3.720	500	300
47.800	LP48A-22	10.300	20.076	94,5	444,0	2.200	13.260	8.600	4.120	500	300
49.500	LP50A-22	10.650	20.790	97,6	455,9	2.200	13.710	8.600	4.720	500	300
52.800	LP53A-22	11.350	22.176	103,7	479,2	2.200	14.610	8.900	4.120	500	500
56.100	LP56A-22	12.000	23.562	109,9	502,6	2.200	15.500	9.700	3.620	500	500
57.700	LP58A-22	12.350	24.234	113,0	514,1	2.200	15.950	10.200	4.120	500	500
59.400	LP59A-22	12.650	24.948	116,0	525,3	2.200	16.390	10.600	4.620	500	500
62.700	LP63A-22	13.300	26.334	122,2	548,2	2.200	17.270	10.000	6.420	500	500
66.000	LP66A-22	14.000	27.720	128,3	570,6	2.200	18.160	10.000	6.620	500	500
67.700	LP68A-22	14.300	28.434	131,4	581,8	2.200	18.600	10.000	6.620	500	500
69.300	LP69A-22	14.650	29.106	134,5	593,1	2.200	19.050	10.000	6.620	500	500
72.600	LP73A-22	15.300	30.492	140,6	615,0	2.200	19.940	11.000	7.120	500	500
75.900	LP76A-22	15.950	31.878	146,8	637,2	2.200	20.830	11.000	7.620	500	500
77.600	LP78A-22	16.250	32.592	149,9	648,2	2.200	21.270	12.000	8.120	500	500
79.200	LP79A-22	16.600	33.264	152,9	658,8	2.200	21.720	12.000	8.120	500	500
22.600	LP23A-24	5.500	9.492	44,7	240,3	2.450	5.340	3.180	2.140	600	300
24.900	LP25A-24	5.950	10.458	48,5	257,0	2.450	5.840	2.450	2.340	600	300
27.200	LP27A-24	6.400	11.424	52,3	273,4	2.450	6.330	2.450	2.540	600	300
31.800	LP32A-24	7.250	13.356	59,9	305,5	2.450	7.320	3.700	2.540	600	300
36.300	LP36A-24	8.150	15.246	67,5	337,0	2.450	8.310	3.700	2.910	600	300
38.600	LP39A-24	8.550	16.212	71,3	352,4	2.450	8.810	5.000	2.510	600	300
40.900	LP41A-24	9.000	17.178	75,1	367,8	2.450	9.300	5.000	2.750	600	300
45.500	LP46A-24	9.900	19.110	82,8	398,4	2.450	10.290	6.700	2.400	600	300
50.000	LP50A-24	10.750	21.000	90,4	428,2	2.450	11.280	6.700	3.290	600	300
52.300	LP52A-24	11.250	21.966	94,2	442,9	2.450	11.780	6.700	4.190	600	500
54.600	LP55A-24	11.700	22.932	98,0	457,5	2.450	12.270	6.700	4.490	600	500
59.200	LP59A-24	12.550	24.864	105,6	486,4	2.450	13.260	6.700	4.490	600	500
63.700	LP64A-24	13.450	26.754	113,2	514,9	2.450	14.250	7.800	4.690	600	500
66.000	LP66A-24	13.900	27.720	117,1	529,4	2.450	14.750	8.900	4.690	600	500
68.300	LP68A-24	14.300	28.686	120,9	543,4	2.450	15.240	9.200	4.690	600	500
72.800	LP73A-24	15.200	30.576	128,5	571,3	2.450	16.230	9.800	4.690	600	500
77.400	LP77A-24	16.050	32.508	136,1	598,9	2.450	17.220	10.700	5.690	600	500
79.700	LP80A-24	16.500	33.474	139,9	612,5	2.450	17.720	11.500	6.190	600	500
82.000	LP82A-24	16.950	34.440	143,7	626,1	2.450	18.210	12.000	7.190	600	500
86.500	LP87A-24	17.800	36.330	151,4	653,5	2.450	19.200	11.000	7.690	600	500
91.100	LP91A-24	18.700	38.262	159,0	680,3	2.450	20.190	12.000	7.690	600	500
93.400	LP93A-24	19.150	39.228	162,8	693,6	2.450	20.690	12.500	7.690	600	500
95.700	LP96A-24	19.550	40.194	166,6	706,9	2.450	21.180	12.500	7.690	600	500
100.200	LP100A-24	20.450	42.084	174,2	733,2	2.450	22.170	13.300	7.690	600	500
104.800	LP105A-24	21.300	44.016	181,8	759,3	2.450	23.160	13.900	7.690	600	500
107.100	LP107A-24	21.750	44.982	185,6	772,3	2.450	23.660	14.200	7.690	600	500
109.400	LP110A-24	22.200	45.948	189,4	785,3	2.450	24.150	14.500	7.690	600	500
113.900	LP114A-24	23.050	47.838	197,1	811,3	2.450	25.140	15.000	7.690	600	500

EXTERNAL PROTECTION:

- Shot-blasting to SA 2-1/2
- Anti-corrosion primer
- Polyurethane finish



These models have two inspection chambers: one for the set of service valves and another for the safety valve manifold, as well as for the manhole. Optionally they can be supplied with a single inspection chamber (centred valving). The inspection chambers are supplied unassembled. Outlets and valves: see page 16.

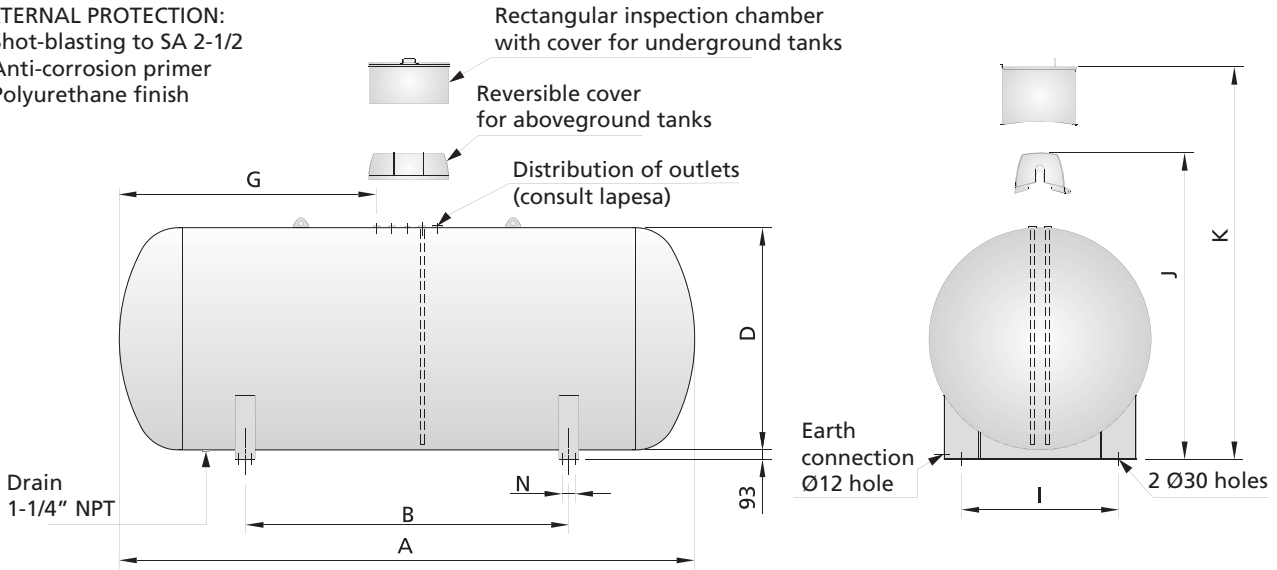
CHARACTERISTICS TABLE

Rated capacity (litres)	Model Ref.	Approx. empty weight (Kg)	Stored propane (Kg)	Total area (m ²)	Minimum discharge of safety valve (m ³ /min. air)	Dimensions (mm)							
						D	A	B	F	I	K	N	P
23.000	LP23E-22	5.450	9.660	48,4	179,6	2.200	6.590	2.300	1.070	1.560	2.780	75	1.525
26.300	LP26E-22	6.100	11.046	54,5	197,9	2.200	7.480	4.300	1.470	1.560	2.780	75	1.925
28.000	LP28E-22	6.400	11.760	57,6	207,1	2.200	7.920	4.300	1.720	1.560	2.780	75	2.175
29.650	LP30E-22	6.750	12.453	60,7	216,2	2.200	8.370	4.800	1.620	1.560	2.780	75	2.075
32.900	LP33E-22	7.400	13.818	66,8	233,9	2.200	9.260	5.500	2.170	1.560	2.780	75	2.625
36.200	LP36E-22	8.050	15.204	73,0	251,5	2.200	10.150	5.500	2.170	1.560	2.780	75	2.625
37.900	LP38E-22	8.400	15.918	76,0	260,0	2.200	10.590	6.000	2.170	1.560	2.780	75	2.625
39.600	LP40E-22	8.700	16.632	79,1	268,6	2.200	11.040	6.700	2.170	1.560	2.780	75	2.625
42.900	LP43E-22	9.350	18.018	85,3	285,8	2.200	11.930	6.700	3.670	1.560	2.780	75	4.125
46.200	LP46E-22	10.000	19.404	91,4	302,4	2.200	12.820	7.100	4.170	1.560	2.780	75	4.625
47.800	LP48E-22	10.350	20.076	94,5	310,8	2.200	13.260	8.600	4.170	1.560	2.780	75	4.625
49.500	LP50E-22	10.700	20.790	97,6	319,2	2.200	13.710	8.600	4.170	1.560	2.780	75	4.625
52.800	LP53E-22	11.400	22.176	103,7	335,4	2.200	14.610	8.900	4.870	1.560	2.780	75	5.325
56.100	LP56E-22	12.050	23.562	109,9	351,8	2.200	15.500	9.700	4.870	1.560	2.780	75	5.325
57.700	LP58E-22	12.350	24.234	113,0	359,9	2.200	15.950	10.200	4.870	1.560	2.780	75	5.325
59.400	LP59E-22	12.700	24.948	116,0	367,7	2.200	16.390	10.600	4.870	1.560	2.780	75	5.325
62.700	LP63E-22	13.350	26.334	122,2	383,8	2.200	12.270	10.000	4.870	1.560	2.780	75	5.325
66.000	LP66E-22	14.050	27.720	128,3	399,4	2.200	18.160	10.000	4.870	1.560	2.780	75	5.325
67.700	LP68E-22	14.350	28.434	131,4	407,3	2.200	18.600	10.000	4.870	1.560	2.780	75	5.325
69.300	LP69E-22	14.700	29.106	134,5	415,2	2.200	19.050	10.000	4.870	1.560	2.780	75	5.325
72.600	LP73E-22	15.350	30.492	140,6	430,5	2.200	19.940	10.000	4.870	1.560	2.780	75	5.325
75.900	LP76E-22	16.000	31.878	146,8	446,0	2.200	20.830	10.000	4.870	1.560	2.780	75	5.325
77.600	LP78E-22	16.300	32.592	149,9	453,5	2.200	21.270	10.000	4.870	1.560	2.780	75	5.325
79.200	LP79E-22	16.650	33.264	152,9	461,2	2.200	21.720	10.000	4.870	1.560	2.780	75	5.325
22.600	LP23E-24	5.600	9.492	44,7	168,2	2.450	5.340	3.180	860	1.740	3.035	120	1.315
24.900	LP25E-24	6.050	10.458	48,5	179,9	2.450	5.840	2.450	880	1.740	3.035	120	1.335
27.200	LP27E-24	6.450	11.424	52,3	191,4	2.450	6.330	2.450	1.090	1.740	3.035	120	1.545
31.800	LP32E-24	7.350	13.356	59,9	213,9	2.450	7.320	3.700	1.590	1.740	3.035	120	2.045
36.300	LP36E-24	8.200	15.246	67,5	235,9	2.450	8.310	3.700	2.090	1.740	3.035	120	2.545
38.600	LP39E-24	8.650	16.212	71,3	246,7	2.450	8.810	5.000	2.340	1.740	3.035	120	2.795
40.900	LP41E-24	9.100	17.178	75,1	257,4	2.450	9.300	5.000	2.590	1.740	3.035	120	3.045
45.500	LP46E-24	9.950	19.110	82,8	278,9	2.450	10.290	6.700	2.590	1.740	3.035	120	3.045
50.000	LP50E-24	10.850	21.000	90,4	299,7	2.450	11.280	6.700	2.590	1.740	3.035	120	3.045
52.300	LP52E-24	11.300	21.966	94,2	310,0	2.450	11.780	6.700	3.840	1.740	3.035	120	4.295
54.600	LP55E-24	11.750	22.932	98,0	320,2	2.450	12.270	6.700	4.040	1.740	3.035	120	4.495
59.200	LP59E-24	12.650	24.864	105,6	340,5	2.450	13.260	6.700	4.540	1.740	3.035	120	4.995
63.700	LP64E-24	13.500	26.754	113,2	360,4	2.450	14.250	7.800	4.540	1.740	3.035	120	4.995
66.000	LP66E-24	13.950	27.720	117,1	370,6	2.450	14.750	8.900	4.540	1.740	3.035	120	4.995
68.300	LP68E-24	14.350	28.686	120,9	380,4	2.450	15.240	9.200	4.540	1.740	3.035	120	4.995
72.800	LP73E-24	15.250	30.576	128,5	399,9	2.450	16.230	9.800	4.540	1.740	3.035	120	4.995
77.400	LP77E-24	16.100	32.508	136,1	419,2	2.450	17.220	10.700	4.540	1.740	3.035	120	4.995
79.700	LP80E-24	16.550	33.474	139,9	428,8	2.450	17.720	11.500	4.540	1.740	3.035	120	4.995
82.000	LP82E-24	17.000	34.440	143,7	438,3	2.450	18.210	12.000	4.540	1.740	3.035	120	4.995
86.500	LP87E-24	17.850	36.330	151,4	457,5	2.450	19.200	11.000	4.540	1.740	3.035	120	4.995
91.100	LP91E-24	18.750	38.262	159,0	476,2	2.450	20.190	12.000	4.540	1.740	3.035	120	4.995
93.400	LP93E-24	19.200	39.228	162,8	485,5	2.450	20.690	12.500	4.540	1.740	3.035	120	4.995
95.700	LP96E-24	19.600	40.194	166,6	494,8	2.450	21.180	12.500	4.540	1.740	3.035	120	4.995
100.200	LP100E-24	20.500	42.084	174,2	513,2	2.450	22.170	13.300	4.540	1.740	3.035	120	4.995
104.800	LP105E-24	21.350	44.016	181,8	531,5	2.450	23.160	13.900	4.540	1.740	3.035	120	4.995
107.100	LP107E-24	21.800	44.982	185,6	540,6	2.450	23.660	14.200	4.540	1.740	3.035	120	4.995
109.400	LP110E-24	22.250	45.948	189,4	549,7	2.450	24.150	14.500	4.540	1.740	3.035	120	4.995
113.900	LP114E-24	23.100	47.838	197,1	567,9	2.450	25.140	15.000	4.540	1.740	3.035	120	4.995

STATIC TANKS FOR STORAGE OF LPG

HORIZONTAL ABOVEGROUND 2.200 and 2.450 mm diameter (less than 20 m³ - special series)

- EXTERNAL PROTECTION:**
- Shot-blasting to SA 2-1/2
 - Anti-corrosion primer
 - Polyurethane finish



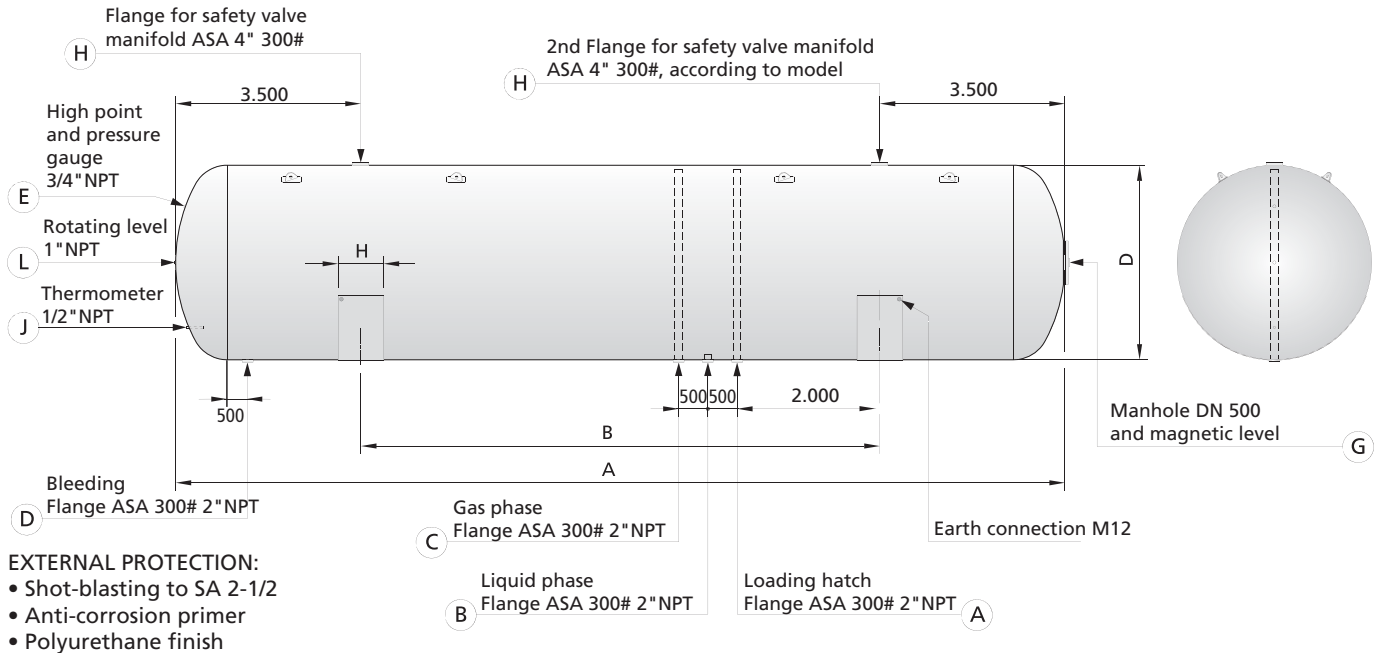
For information purposes, a group of officially approved tanks is indicated which do not form part of our standard production but can meet requirements for special sizes or capacities. The details in models with capacities of less than 20 m³ are valid for both aboveground and underground installation.

CHARACTERISTICS TABLE

Rated capacity (litres)	Model Ref.	Approx. empty weight (Kg)	Stored propane (Kg)	Total area (m ²)	Minimum discharge of safety valve (m ³ /min. air)		Dimensions (mm)						
					Abovegrd.	Undergrd	D	A	B	G	I	J	K
6.500	LP6500*-22	2.000	2.730	17,6	111,9	78,3	2.200	2.140	600	770	1.560	2.555	2.700
8.150	LP8150*-22	2.300	3.423	20,7	127,8	89,5	2.200	2.580	1.000	990	1.560	2.555	2.700
9.800	LP9800*-22	2.650	4.116	23,8	143,3	100,3	2.200	3.030	1.300	1.210	1.560	2.555	2.700
13.000	LP13*-22	3.300	5.502	29,9	172,8	121,0	2.200	3.920	2.000	1.660	1.560	2.555	2.700
16.400	LP16*-22	3.950	6.888	36,1	201,7	141,2	2.200	4.810	2.500	2.100	1.560	2.555	2.700
18.050	LP18*-22	4.300	7.581	39,1	215,4	150,7	2.200	5.250	3.000	2.320	1.560	2.555	2.700
19.700	LP20*-22	4.600	8.274	42,2	229,3	160,5	2.200	5.700	3.200	2.550	1.560	2.555	2.700
8.950	LP8950*-24	2.750	3.759	21,8	133,4	93,4	2.450	2.370	700	890	1.740	2.810	2.950
11.200	LP11*-24	3.200	4.704	25,6	152,2	106,5	2.450	2.870	1.200	1.140	1.740	2.810	2.950
13.500	LP14*-24	3.650	5.670	29,4	170,5	119,3	2.450	3.360	1.600	1.380	1.740	2.810	2.950
18.050	LP18*-24	4.500	7.581	37,1	206,3	144,4	2.450	4.350	2.000	1.880	1.740	2.810	2.950

*=A, for aboveground tanks. *=E, for underground tanks.





LARGE DIAMETER series models.

- The size, distribution and distance between connections and other elements can be adapted to meet the requirements of each project.
- Details of the external surface finish are to be confirmed at the quotation stage.
- Optional supply of valve sets corresponding to each tank model.
- The drawing shows tanks for aboveground installation.

Same capacities for underground installation (please consult). Outlets and valves: see page 17.

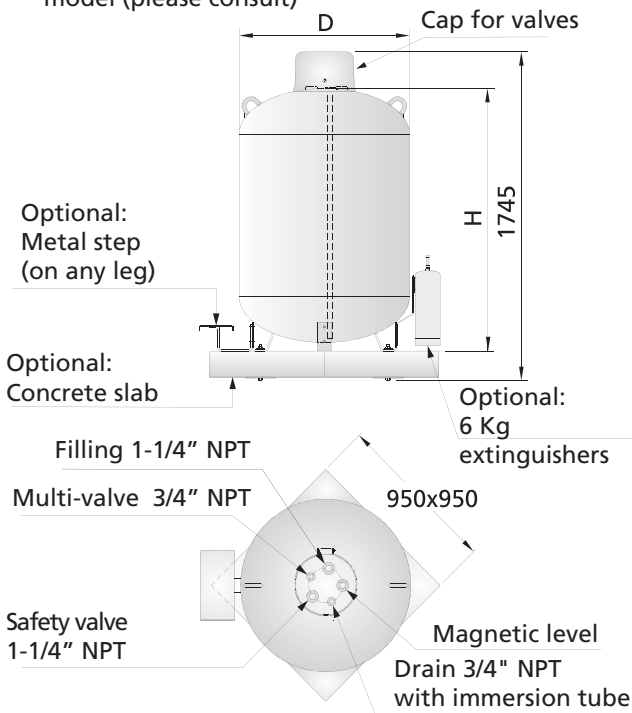
CHARACTERISTICS TABLE

Rated capacity (litres)	Model Ref.	Approx. empty weight (Kg)	Stored propane (Kg)	Total area (m ²)	Minimum discharge of safety valve (m ³ /min. air)		Dimensions (mm)		
					Abovegrd.	Undergrd	D	A	B
101000	LP100A-30	20100	42420	147,78	641	448	3000	15120	9000
126000	LP125A-30	24560	52920	181,74	759	531	3000	18720	11000
151000	LP150A-30	29010	63420	215,69	874	612	3000	22320	13000
176000	LP175A-30	33470	73920	249,65	985	689	3000	25930	16000
150000	LP150A-35	30480	63000	189,78	787	551	3500	16600	11500
175000	LP175A-35	35020	73500	218,95	884	619	3500	19260	13000
200000	LP200A-35	39560	84000	248,12	980	686	3500	21100	13900
250000	LP250A-35	48650	105000	306,47	1165	816	3500	24210	18000
276000	LP275A-35	53280	115920	336,19	1257	880	3500	29920	20000
201000	LP200A-38	41350	84420	232,70	930	651	3800	18780	13000
250000	LP250A-38	50400	105000	285,26	1099	769	3800	23180	14000
276000	LP275A-38	55230	115920	313,35	1187	831	3800	25540	15000
301000	LP300A-38	59860	126420	340,25	1270	889	3800	27790	17000
325000	LP325A-38	64390	136500	366,55	1349	945	3800	29990	20000
251000	LP250A-40	51350	105420	274,52	1065	745	4000	21100	13000
275000	LP275A-40	55880	115500	299,66	1144	801	4000	23100	14000
300000	LP300A-40	60420	126000	324,83	1222	855	4000	25100	15000
326000	LP325A-40	65190	136920	351,25	1303	912	4000	27200	17000
340000	LP350A-40	67910	142800	366,33	1349	944	4000	28400	20000
276000	LP275A-42	55120	115920	288,87	1110	777	4200	21100	13000
301000	LP300A-42	59630	126420	313,28	1186	830	4200	22950	14000
326000	LP325A-42	64140	136920	337,76	1262	883	4200	24810	15000
340000	LP350A-42	66690	142800	351,58	1304	913	4200	25860	16500
401000	LP400A-42	77540	168420	410,37	1480	1036	4200	30310	20000

A= Aboveground (Underground tanks: please consult us). (*) Weights for a design pressure of 19 bar.

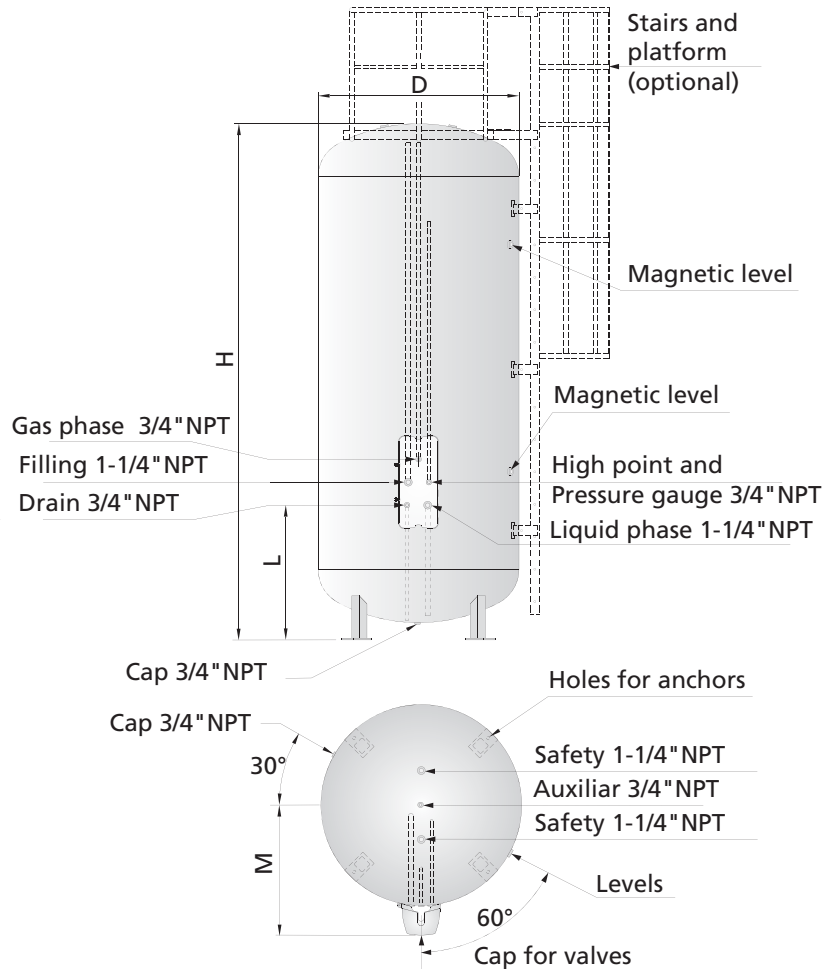
LP1000AV

There is also a transportable version (cylinder) of this model (please consult)



- EXTERNAL PROTECTION:**
- Shot-blasting to SA 2-1/2
 - Anti-corrosion primer
 - Polyurethane finish

LP2450V...LP50V



Suitable for places with restricted space. The drawing is indicative. The layout and size of outlets may vary according to the model, please consult.

CHARACTERISTICS TABLE

Rated capacity (litres)	Model Ref.	Approx. empty weight (Kg)	Stored propane (Kg)	Total area (m ²)	Minimum discharge of safety valve (m ³ /min. air)	Dimensions (mm)			
						D	H	L	M
987	LP1000AV	250	415	5,3	41,8	1.000	1.520	-	-
2.450	LP2450V	590	1.029	10,1	71,0	1.200	2.560	1.120	855
4.990	LP5000V-17	1.600	2.099	15,2	99,3	1.750	2.640	980	1.135
8.400	LP8400V-17	2.000	3.528	23,2	140,4	1.750	4.070	980	1.135
13.000	LP13V-17	3.250	5.460	34,0	192,0	1.750	6.010	980	1.135
19.900	LP20V	4.550	8.358	50,0	263,5	1.750	9.260	(1)	-
31.800	LP32V	7.800	13.356	59,9	305,5	2.450	7.820	(1)	-
50.000	LP50V	11.525	21.000	90,4	428,2	2.450	11.780	(1)	-

(1) Models with connections on bottom dished end.



По вопросам продаж и поддержки обращайтесь:

Архангельск (8182)63-90-72
Астана +7(7172)727-132
Белгород (4722)40-23-64
Брянск (4832)59-03-52
Владивосток (423)249-28-31
Волгоград (844)278-03-48
Вологда (8172)26-41-59
Воронеж (473)204-51-73
Екатеринбург (343)384-55-89
Иваново (4932)77-34-06
Ижевск (3412)26-03-58
Казань (843)206-01-48

Калининград (4012)72-03-81
Калуга (4842)92-23-67
Кемерово (3842)65-04-62
Киров (8332)68-02-04
Краснодар (861)203-40-90
Красноярск (391)204-63-61
Курск (4712)77-13-04
Липецк (4742)52-20-81
Магнитогорск (3519)55-03-13
Москва (495)268-04-70
Мурманск (8152)59-64-93
Набережные Челны (8552)20-53-41

Нижний Новгород (831)429-08-12
Новокузнецк (3843)20-46-81
Новосибирск (383)227-86-73
Орел (4862)44-53-42
Оренбург (3532)37-68-04
Пенза (8412)22-31-16
Пермь (342)205-81-47
Ростов-на-Дону (863)308-18-15
Рязань (4912)46-61-64
Самара (846)206-03-16
Санкт-Петербург (812)309-46-40
Саратов (845)249-38-78

Смоленск (4812)29-41-54
Сочи (862)225-72-31
Ставрополь (8652)20-65-13
Тверь (4822)63-31-35
Томск (3822)98-41-53
Тула (4872)74-02-29
Тюмень (3452)66-21-18
Ульяновск (8422)24-23-59
Уфа (347)229-48-12
Челябинск (351)202-03-61
Череповец (8202)49-02-64
Ярославль (4852)69-52-93